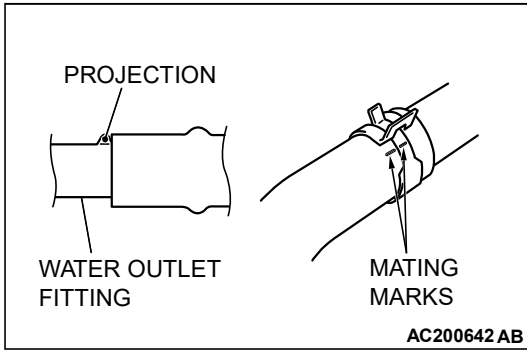


>>B<< RADIATOR UPPER HOSE CONNECTION

1. Insert each hose as far as the projection of the water outlet fitting.
2. Align the mating marks on the radiator hose and hose clamp, and then connect the radiator hose.



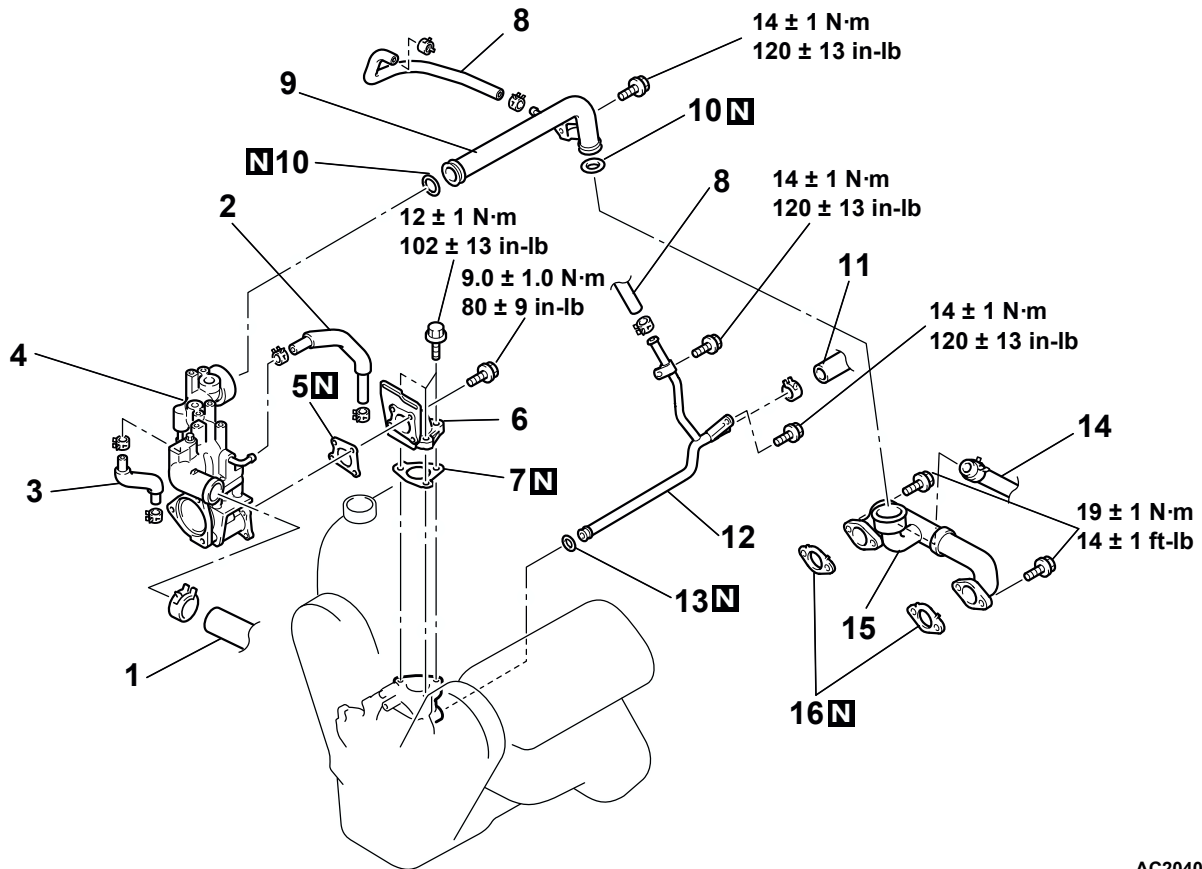
WATER HOSE AND WATER PIPE

REMOVAL AND INSTALLATION

M1141003300288

Pre-removal and Post-installation Operation

- Engine Coolant Draining and Supplying (Refer to P.14-5.)
- Intake Manifold Removal and Installation (Refer to GROUP 15, Intake Manifold P.15-7.)
- Thermostat Removal and Installation (Refer to P.14-13.)



AC204094 AB

- <<A>> >>D<<
- REMOVAL STEPS**
1. RADIATOR UPPER HOSE CONNECTION
 2. WATER HOSE

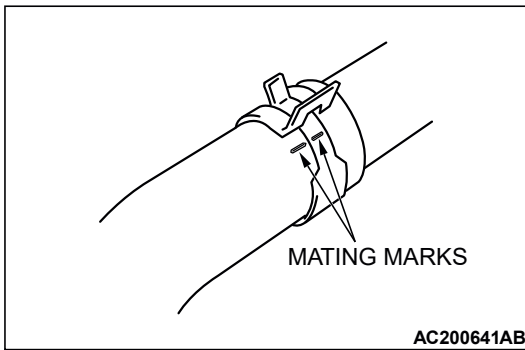
- REMOVAL STEPS (Continued)**
3. WATER HOSE
 4. WATER OUTLET FITTING AND THERMOSTAT CASE

REMOVAL STEPS (Continued)

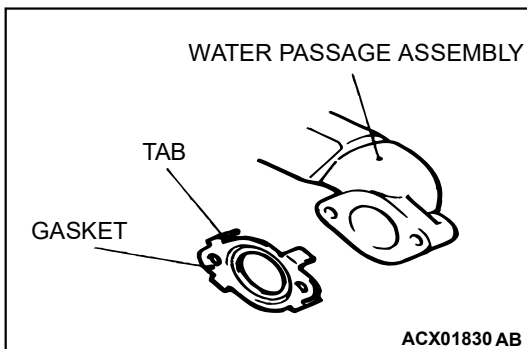
5. GASKET
6. FITTING
7. GASKET
8. WATER HOSE
9. WATER OUTLET PIPE ASSEMBLY
- >>C<< 10. O-RING
11. HEATER HOSE CONNECTION
12. WATER PIPE ASSEMBLY
- >>C<< 13. O-RING
- >>B<< 14. HEATER HOSE CONNECTION
15. WATER PASSAGE ASSEMBLY
- >>A<< 16. GASKET

REMOVAL SERVICE POINT**<<A>> RADIATOR UPPER HOSE DISCONNECTION**

After making mating marks on the radiator hose and hose clamp, disconnect the radiator hose.

**INSTALLATION SERVICE POINTS****>>A<< GASKET INSTALLATION**

Bend over the tabs to secure the gasket to the water passage assembly.

**>>B<< WATER HOSE CONNECTION**

To reuse the water hose, align the mating marks that were made during removal, and then install the hose clamp.