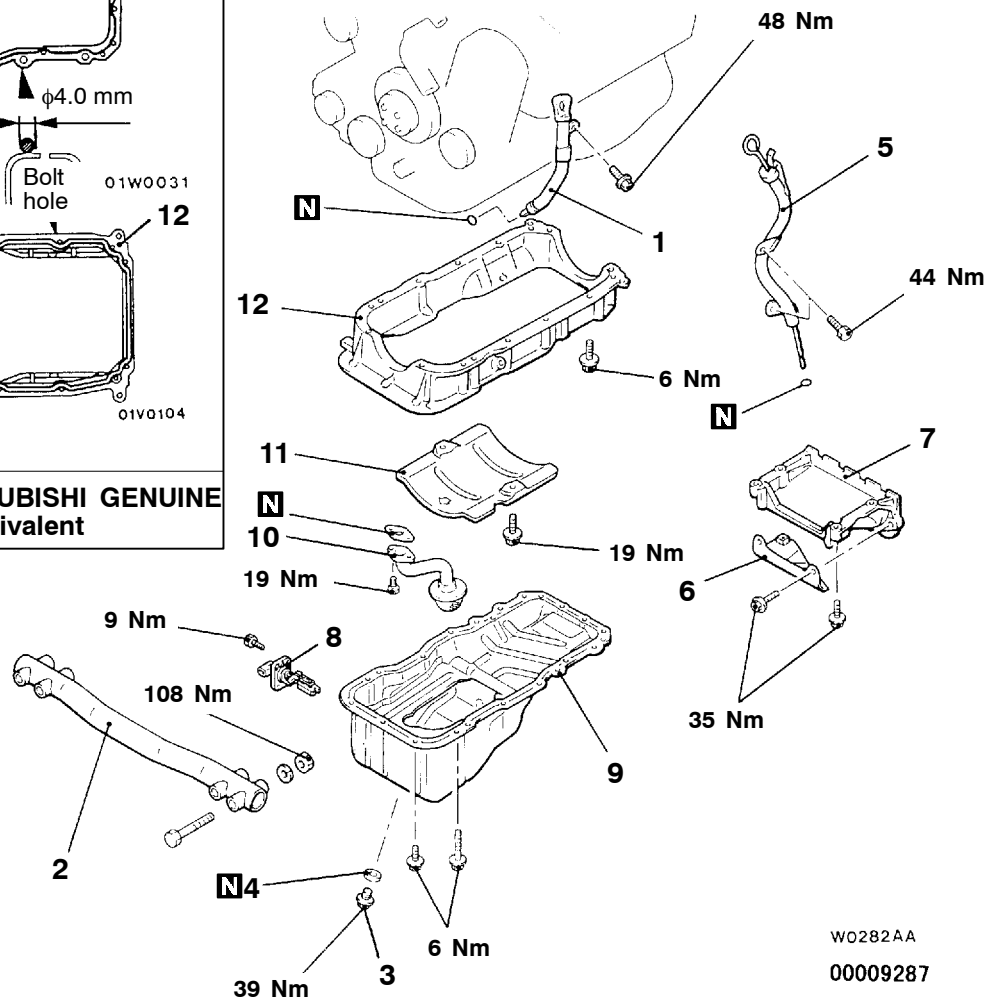
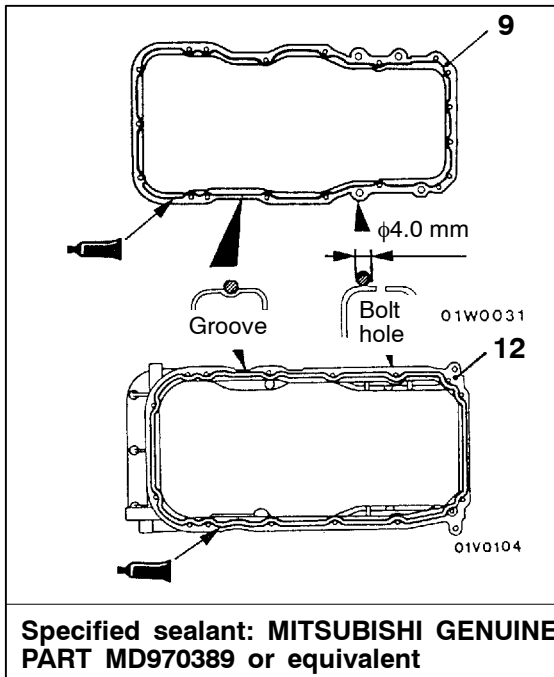


# OIL PAN AND OIL SCREEN

## REMOVAL AND INSTALLATION

### Pre-removal and Post-installation Operation

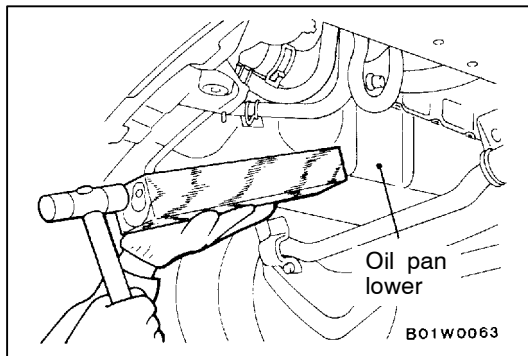
- Skid Plate and Under Cover Removal and Installation
- Engine Oil Draining and Refilling (Refer to GROUP 12 – On-vehicle Service.)
- Alternator Removal and Installation (Refer to GROUP 16 – Alternator.)
- Stabilizer Bar Removal and Installation (Refer to GROUP 33A – Stabilizer Bar.)
- Front Exhaust Pipe Removal and Installation (Refer to GROUP 15 – Exhaust Pipe and Main Muffler.)
- Actuator Assembly and Heat Protector Removal and Installation (Refer to GROUP 26 – Inner Shaft.)



W0282AA  
00009287

### Removal steps

- |     |                                 |     |                      |
|-----|---------------------------------|-----|----------------------|
| ▶C◀ | 1. Oil dipstick assembly        | ▶B◀ | 7. Transmission stay |
|     | 2. Crossmember assembly         | ▶A◀ | 8. Oil level sensor  |
|     | 3. Drain plug                   | ▶A◀ | 9. Oil pan lower     |
|     | 4. Drain plug gasket            | ▶A◀ | 10. Oil screen       |
|     | 5. A/T oil dipstick assembly    |     | 11. Baffle plate     |
|     | 6. Exhaust pipe support bracket |     | 12. Oil pan upper    |



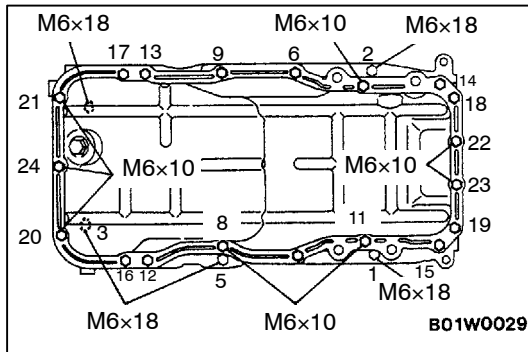
## REMOVAL SERVICE POINT

### ◀A▶ OIL PAN LOWER REMOVAL

1. Remove the oil pan, lower installation bolt.
2. Place a wooden block to the oil pan, lower as shown in the figure and remove by tapping with a hammer.

#### Caution

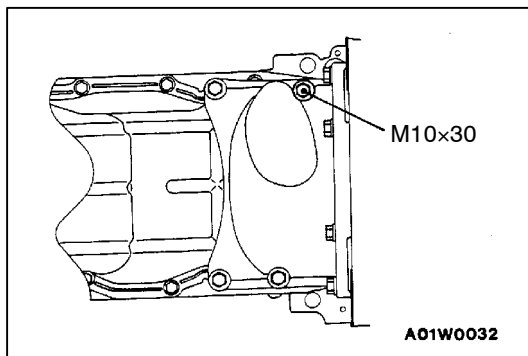
The use of an oil pan remover (MD998727) can damage the oil pan, upper (aluminum made).



## INSTALLATION SERVICE POINTS

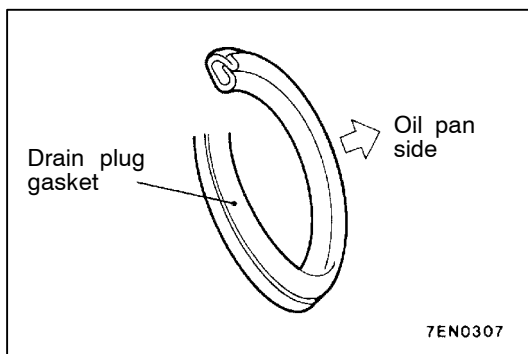
### ▶A▶ OIL PAN LOWER INSTALLATION

1. Tighten the bolts in order of the numbers shown in the illustration.
2. Be careful when installing, as there are two different lengths of bolt.



### ▶B▶ TRANSMISSION STAY INSTALLATION

Be careful when installing, as the bolts indicated in the illustration have different lengths from the other bolts.



### ▶C▶ DRAIN PLUG GASKET INSTALLATION

Replace the gasket with a new gasket. Install the new gasket in the direction shown in the illustration.

## INSPECTION

11200260089

- Check the oil pan for cracks.
- Check the oil pan sealant-coated surface for damage and deformation.
- Check the oil screen for cracked, clogged or damaged wire net and pipe.