

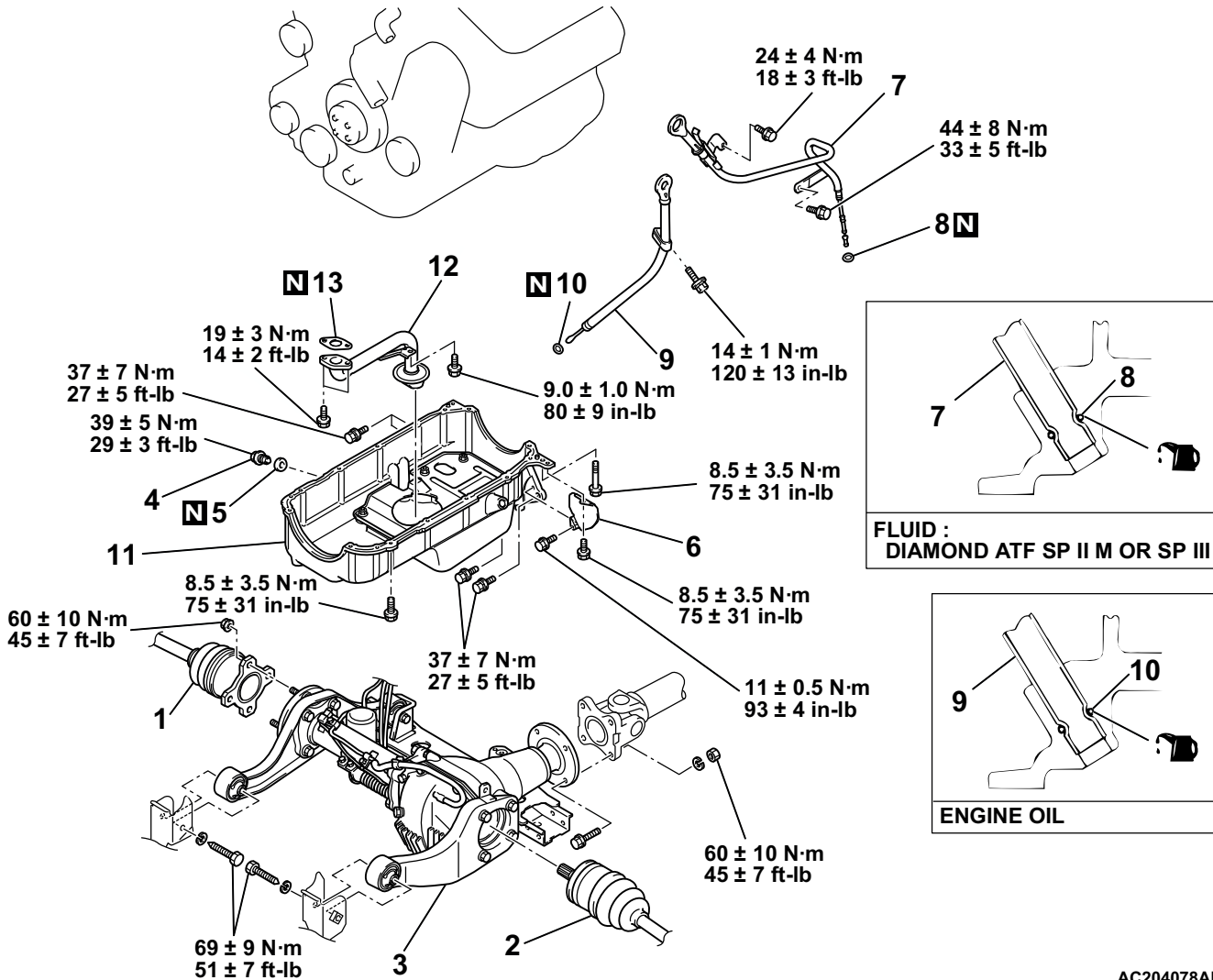
OIL PAN AND OIL SCREEN

REMOVAL AND INSTALLATION

M1112002500160

Pre-removal and Post-installation Operation

- Skid Plate and Under Cover Removal and Installation
- Engine Oil Draining and Refilling (Refer to GROUP 12, On-vehicle Service P.12-3.)
- Starter Motor Removal and Installation (Refer to GROUP 16, Starter motor assembly P.16-20.)



REMOVAL STEPS

1. DRIVE SHAFT (RH) CONNECTION
2. DRIVE SHAFT (LH) CONNECTION
3. FRONT DIFFERENTIAL NUMBER 2 CROSSMEMBER ASSEMBLY
4. DRAIN PLUG
5. DRAIN PLUG GASKET
6. COVER

<<A>> >>A<<

REMOVAL STEPS (Continued)

7. TRANSMISSION FLUID DIPSTICK ASSEMBLY
8. O-RING
9. ENGINE OIL DIPSTICK ASSEMBLY
10. O-RING
11. OIL PAN
12. OIL SCREEN
13. GASKET

AC204078AB

REMOVAL SERVICE POINT

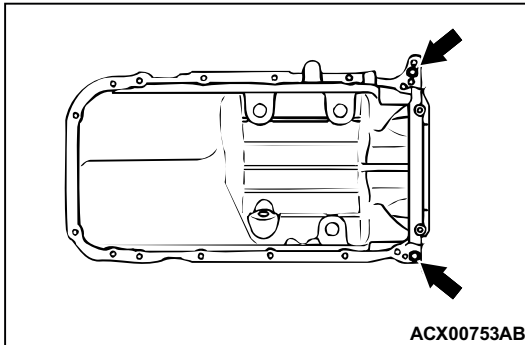
<<A>> OIL PAN REMOVAL

1. Remove the oil pan mounting bolts.

⚠ CAUTION

Do not use the oil pan remover (MD998727). It will damage the oil pan (aluminum made).

2. Screw the bolts (M10) securing the oil pan to the transmission assembly in the illustrated bolt holes, then remove the oil pan.



INSTALLATION SERVICE POINTS

>>A<< OIL PAN INSTALLATION

1. Remove sealant from the oil pan and cylinder block mating surfaces.
2. Degrease the sealant-coated surface and the engine mating surface.
3. Apply a bead of the sealant to the cylinder block mating surface of the engine oil pan as shown.

Specified sealant: MITSUBISHI GENUINE PART MD970389 or equivalent

NOTE: The sealant should be applied in a continuous bead approximately 4.0 mm (0.16 inch) in diameter.

4. Assemble the oil pan to the cylinder block within 30 minutes after applying the sealant.

⚠ CAUTION

The bolt holes for bolts 13 and 14 in the illustration are cut away on the transmission side. Be careful not to insert these bolts at an angle.

5. Tighten the bolts in order of the numbers shown in the illustration.

