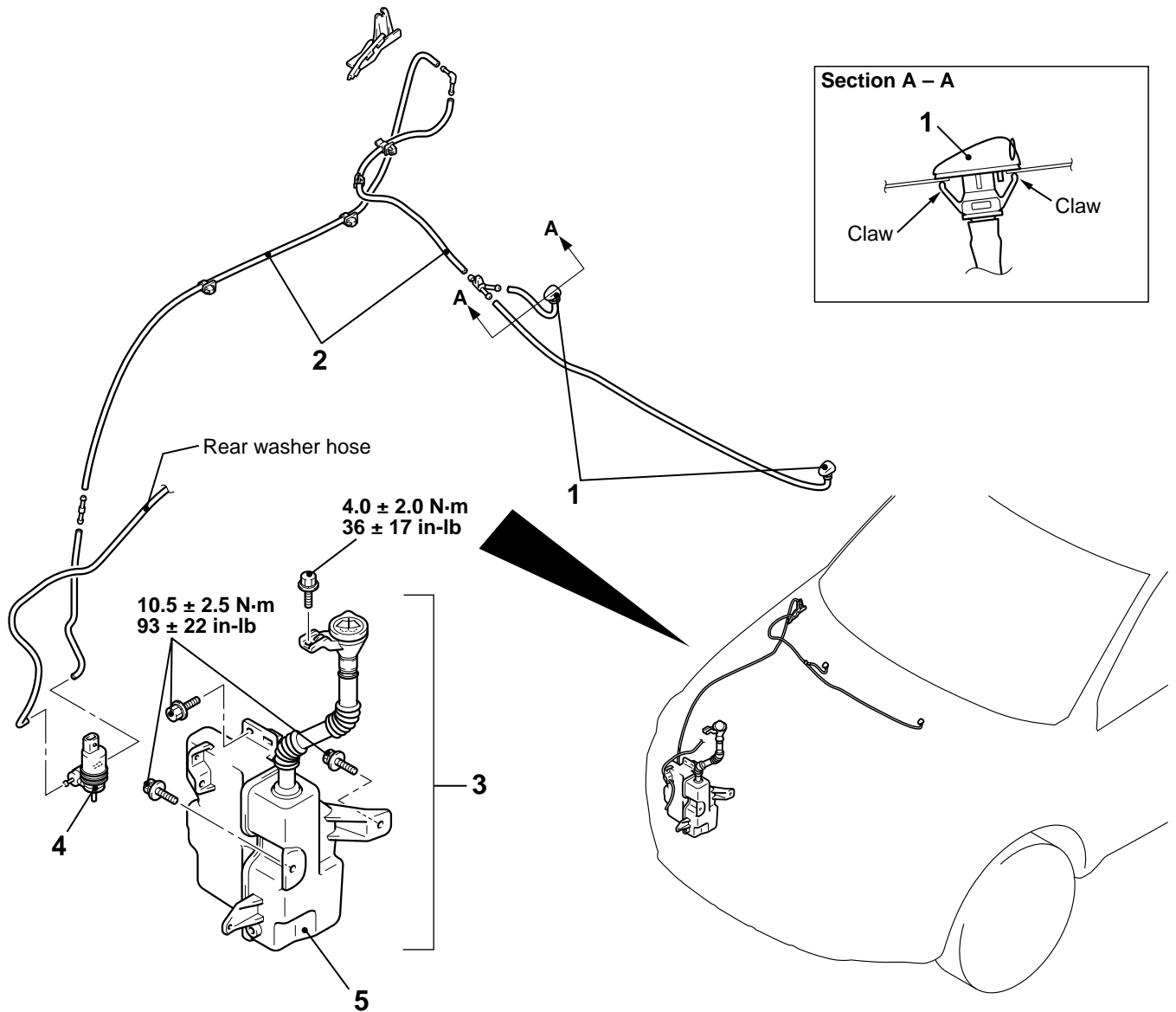


WINDSHIELD WASHER

REMOVAL AND INSTALLATION

M15102100025USA0000010000



ZC6002820000

Windshield washer nozzle removal steps

- Connection of windshield washer hose
- 1. Windshield washer nozzle

Washer hose removal steps

- Splash shield (RH) mounting clips
- Connection of washer nozzle/washer motor
- 2. Windshield washer hose

Washer tank removal steps

- Engine room under cover front (Refer to P.51A-18)
- Splash shield (RH) mounting clips
- Connection of front/rear washer hose
- 3. Windshield washer tank assembly
- 4. Windshield washer motor
- 5. Windshield washer tank