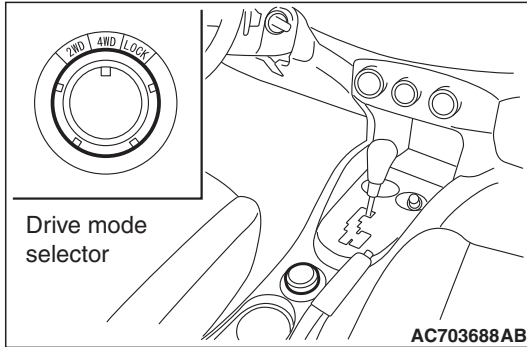


# DRIVE MODE SELECTOR

## REMOVAL AND INSTALLATION

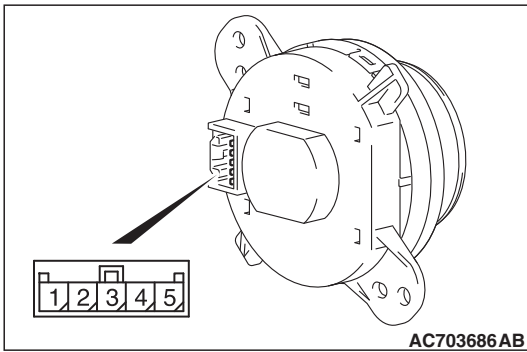
M1274007900087

Refer to GROUP 52A – Instrument Panel Assembly [P.52A-2](#).



## DRIVE MODE SELECTOR CHECK

M1274008000065



Switch position	Terminal number	Normal conditions
2WD (FWD)	1 – 2	Continuity exists (2 ohm or less).
	2 – 3	No continuity
4WD (AWD)	1 – 2	No continuity
	2 – 3	No continuity
LOCK	1 – 2	No continuity
	2 – 3	Continuity exists (2 ohm or less).