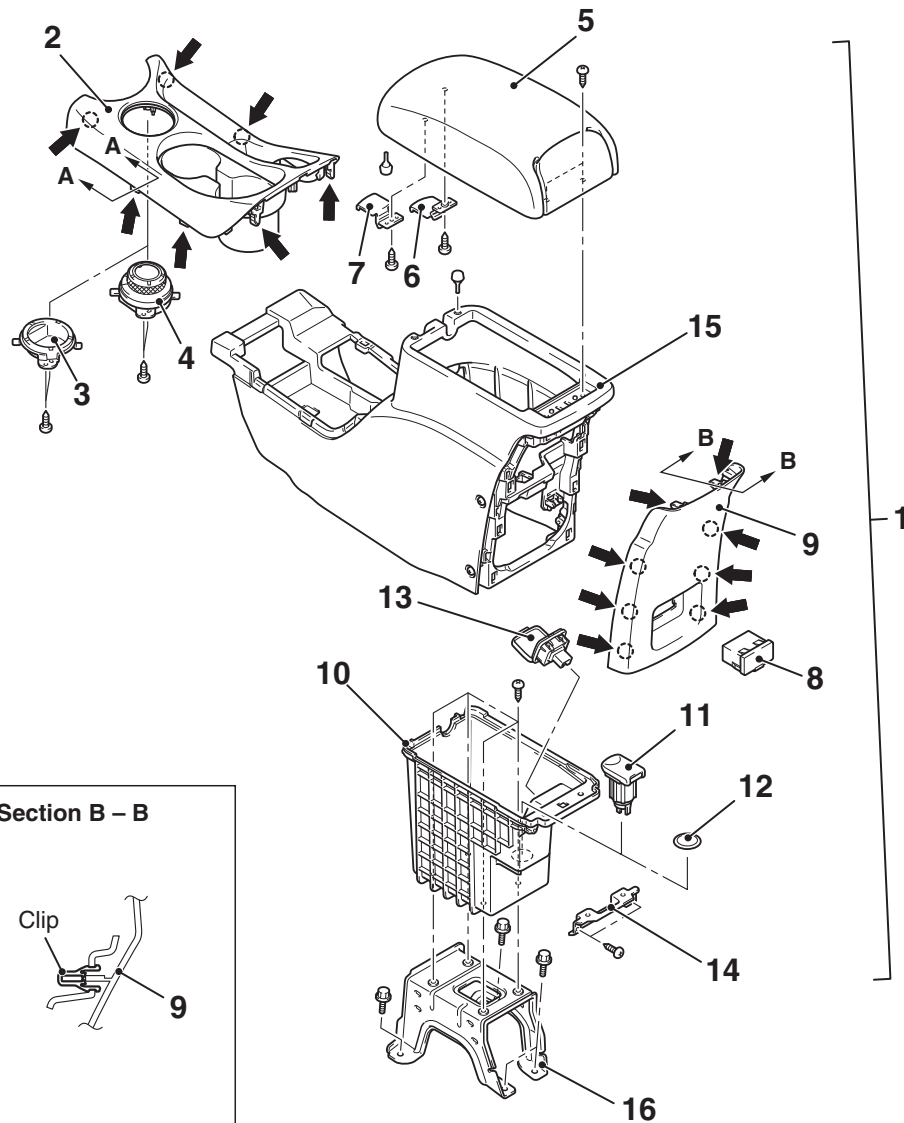


Removal steps (Continued)

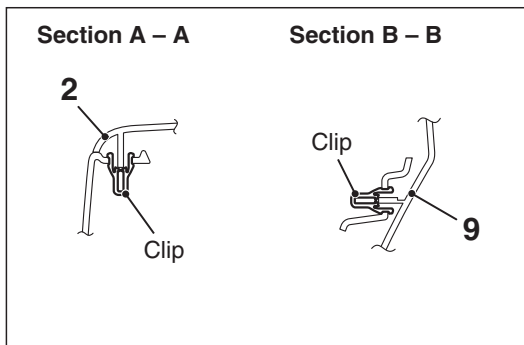
4. Front floor console assembly
 - Interior transmission antenna (front) (Refer to GROUP 42B, Exterior Transmission Antenna, Interior Transmission Antenna Assembly, Receiver Antenna Module P.42B-202.)
5. Front floor console base
6. Front floor console base bracket
7. Front floor console mid bracket

**REAR FLOOR CONSOLE ASSEMBLY
REMOVAL AND INSTALLATION**

M1521005700523



NOTE
← : Clip positions



<<A>>

Removal steps

1. Rear floor console assembly
 - AWD selector switch connector
2. Rear floor console front panel assembly

Removal steps (Continued)

3. Floor console plug <FWD>

AC709780AB

Removal steps (Continued)

4. Drive mode selector <AWD> (Refer to GROUP 27C – Drive mode selector removal and installation [P.27C-96](#))
5. Armrest assembly
6. Armrest box lever
7. Rear floor console box lever
8. VTR adapter assembly
9. Rear floor console rear panel
10. Rear floor console box
 - USB adapter (Refer to GROUP 54A – USB adapter removal and installation [P.54A-634](#))
11. Accessory socket
12. Cigar lighter plug
13. AC inverter socket
14. Rear floor console box bracket
 - Accessory socket connector
 - VTR adapter connector
15. Rear floor console
16. Rear floor console bracket

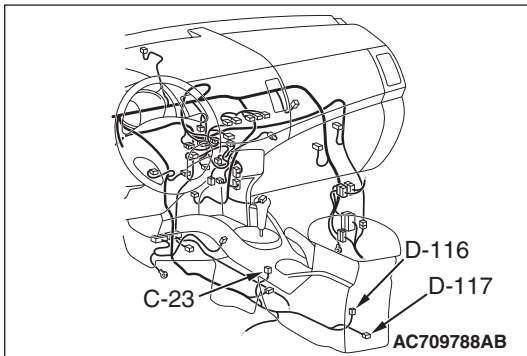
<<A>>

<<A>>

REMOVAL SERVICE POINT

<<A>> WIRING HARNESS CONNECTOR DISCONNECTION

Disconnect the following wiring harness connectors:



Connector number	Connector name
C-23 (5)	Drive mode selector switch connector
C-116 (2)	Accessory socket connector (Rear floor console)
C-117 (6 – Black)	Audio and video adapter connector