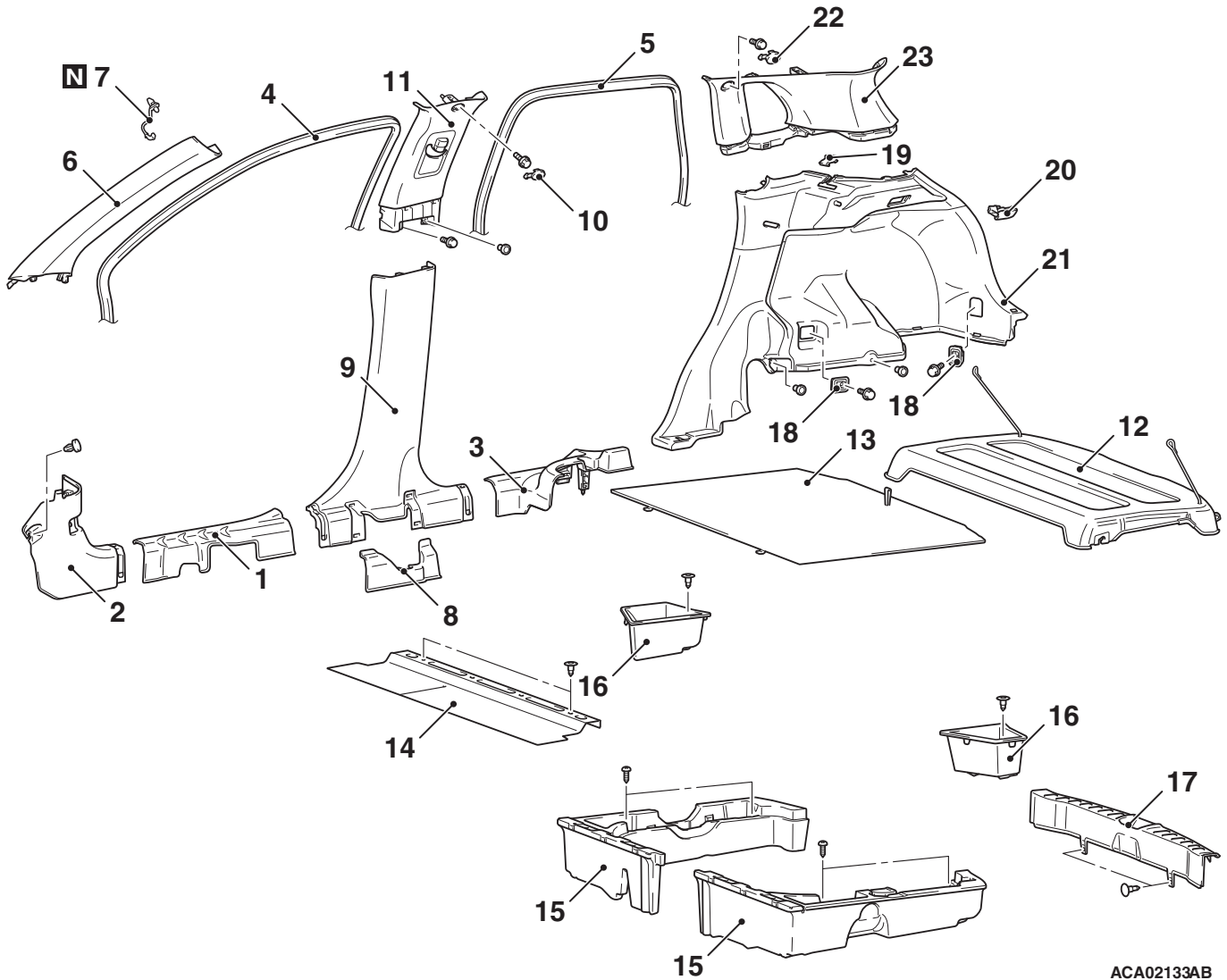


TRIMS

INTERIOR TRIM

REMOVAL AND INSTALLATION

M1521001102031



ACA02133AB

Cowl side trim removal steps

1. Front scuff plate
2. Cowl side trim

Rear scuff plate removal step

- Rear seat cushion (Refer to [P.52A-49](#)).

3. Rear scuff plate

Front pillar trim removal steps

4. Front door opening trim
6. Front pillar trim
7. Front pillar trim clip

Center pillar trim removal steps

1. Front scuff plate
- Rear seat cushion (Refer to [P.52A-49](#)).

3. Rear scuff plate
4. Front door opening trim

Center pillar trim removal steps

5. Rear door opening trim
8. Center pillar cover inner
9. Center pillar trim lower
10. Center pillar trim cap
11. Center pillar trim upper

Rear shelf trim removal step

12. Rear shelf trim <Vehicles with rear shelf trim>

Cargo floor box removal steps

13. Cargo floor lid
14. Cargo floor board front
15. Cargo floor box
16. Cargo floor box (LH/RH)

Rear end trim removal steps

13. Cargo floor lid
14. Cargo floor board front

<<A>>

<>

Rear end trim removal steps

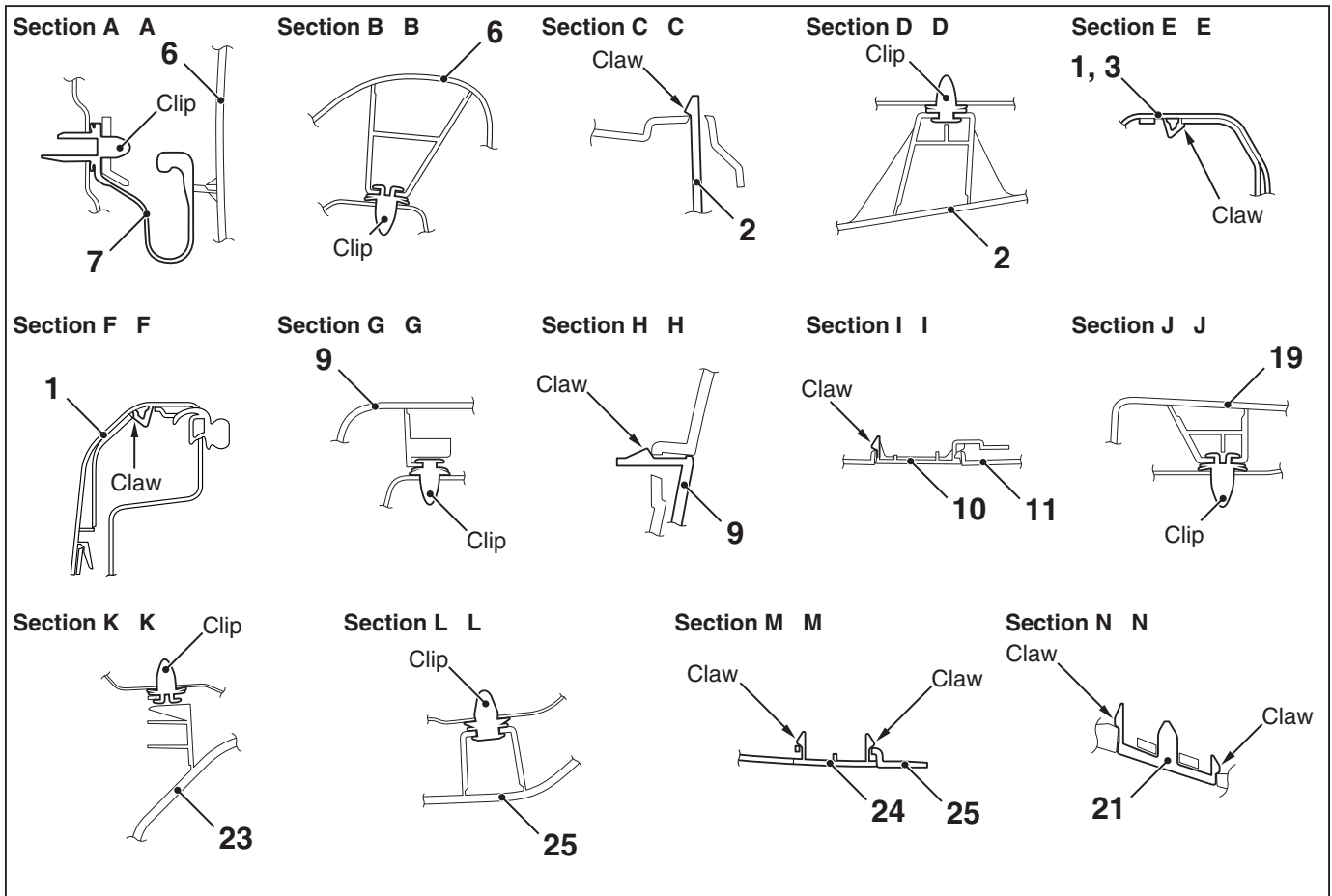
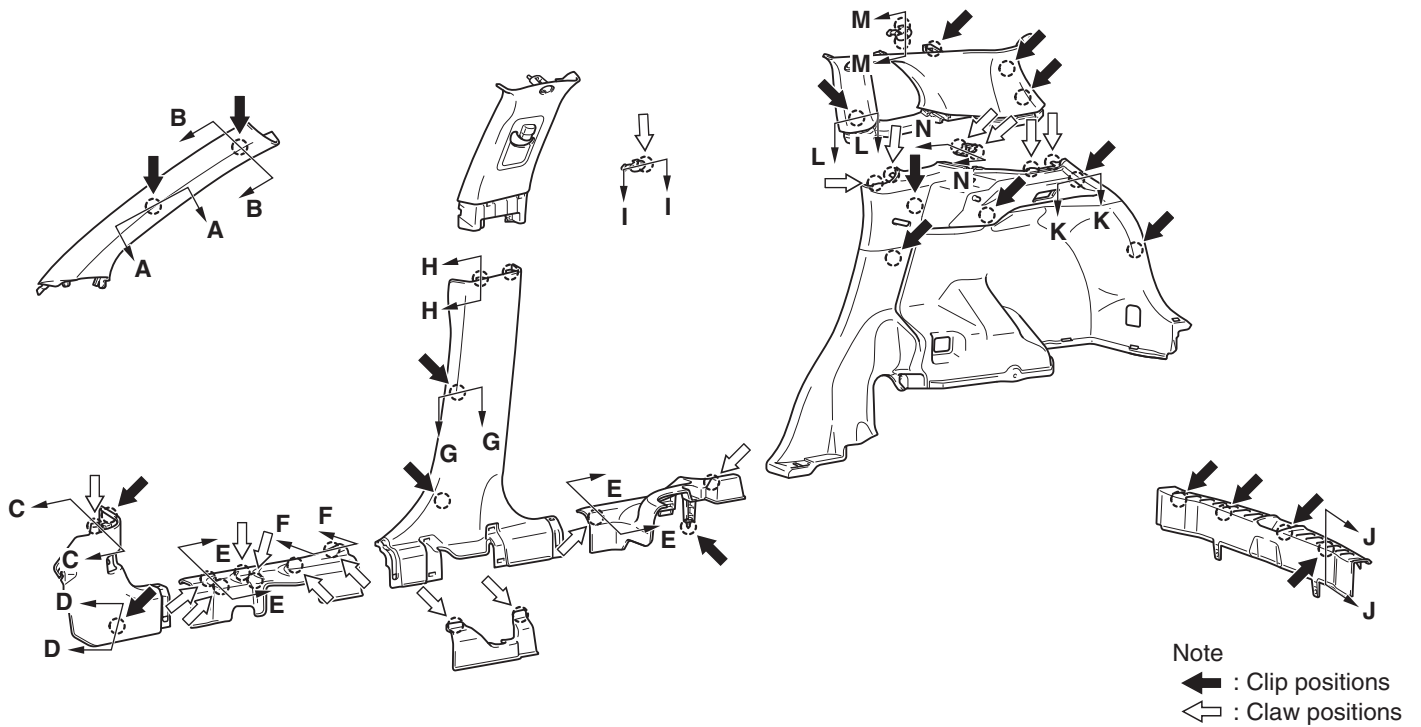
15. Cargo floor box
17. Rear end trim

Quarter trim removal steps

- Rear seat cushion (Refer to [P.52A-49](#)).
 - Rear seat back assembly (Refer to [P.52A-49](#)).
3. Rear scuff plate
 5. Rear door opening trim
 12. Rear shelf trim <Vehicles with rear shelf trim>
 13. Cargo floor lid
 14. Cargo floor board front
 15. Cargo floor box
 16. Cargo floor box (LH/RH)
 17. Rear end trim
 18. Parcel strap hook
 19. Quarter trim lid
 20. Luggage compartment light
 21. Quarter trim lower
 22. Quarter upper trim cap
 23. Quarter trim upper

<>

CLIP AND CLAW POSITIONS



AC904458AB

NOTE: Each number in the illustration indicates a part number.