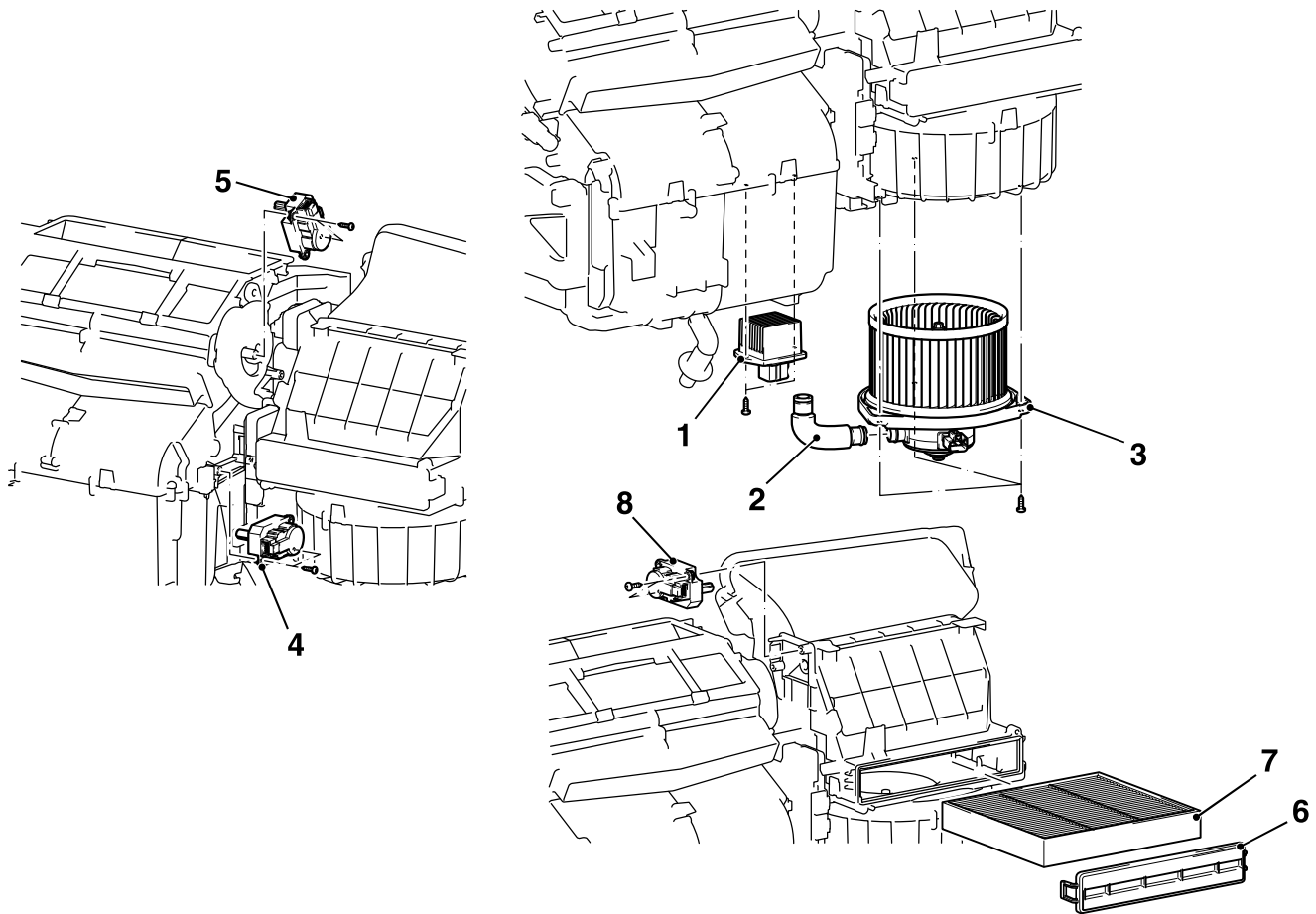


MOTORS AND TRANSISTOR

REMOVAL AND INSTALLATION

M1551006900125



AC708788AC

Power transistor removal steps

- Bottom cover assembly (front passenger's seat)(Refer to GROUP 52A – Instrument panel assembly [P.52A-2](#)).

1. Power transistor

Blower motor removal steps

- Bottom cover assembly (front passenger's seat)(Refer to GROUP 52A – Instrument panel assembly [P.52A-2](#)).

2. Hose

3. Blower motor

<<A>>

<<A>>

<<A>> >>A<<

Air mixing damper control motor, mode selection damper control motor and outside/inside air selection damper control motor removal steps

- Glove box assembly (Refer to GROUP 52A – Instrument panel assembly [P.52A-2](#)).

- Rear heater duct A (Refer to [P.55A-135](#)).

- A/C-ECU (Refer to [P.55A-124](#)).

4. Air mixing damper control motor

5. Mode selection damper control motor

6. Clean air filter cover

7. Clean air filter

8. Outside/inside air selection damper control motor