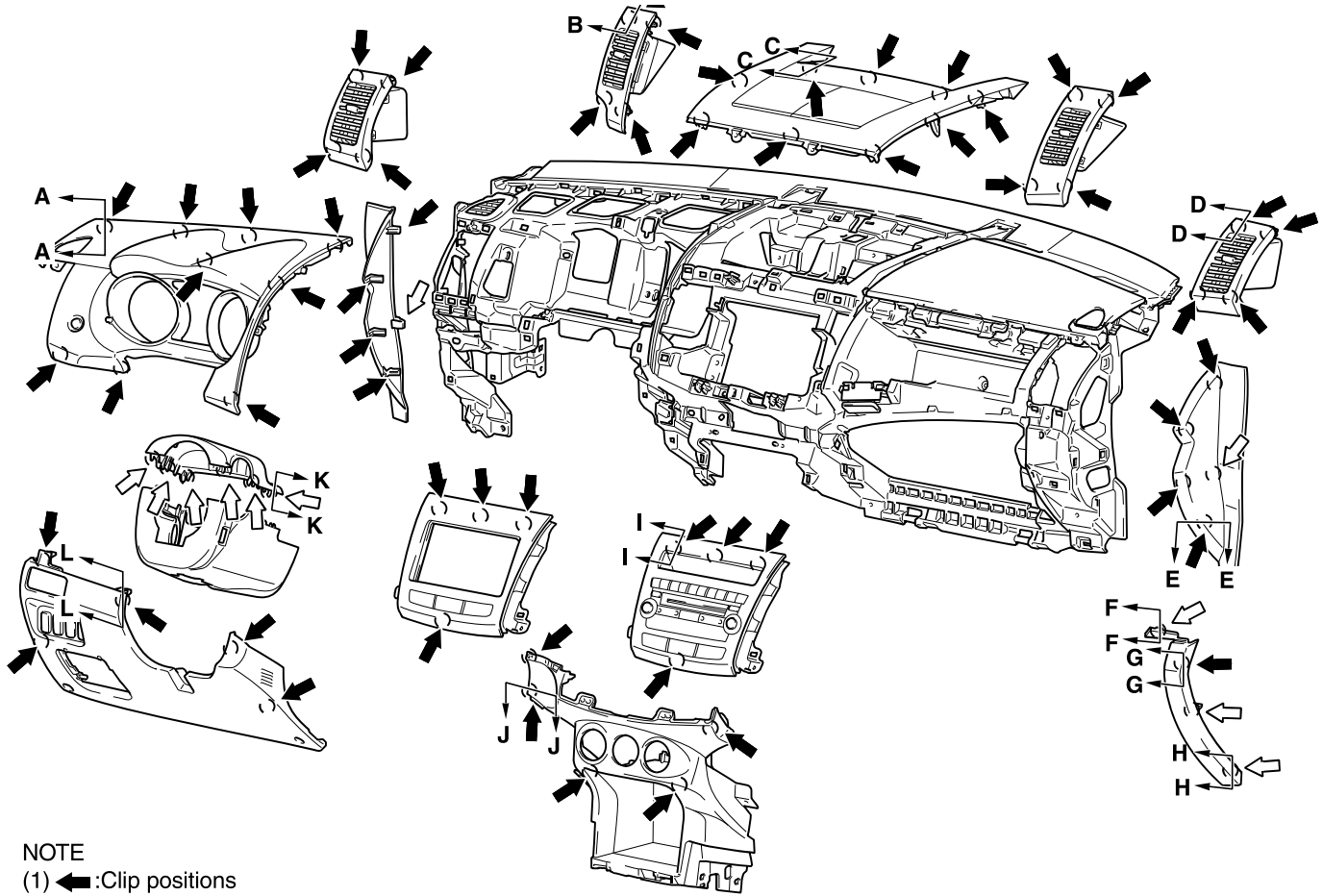
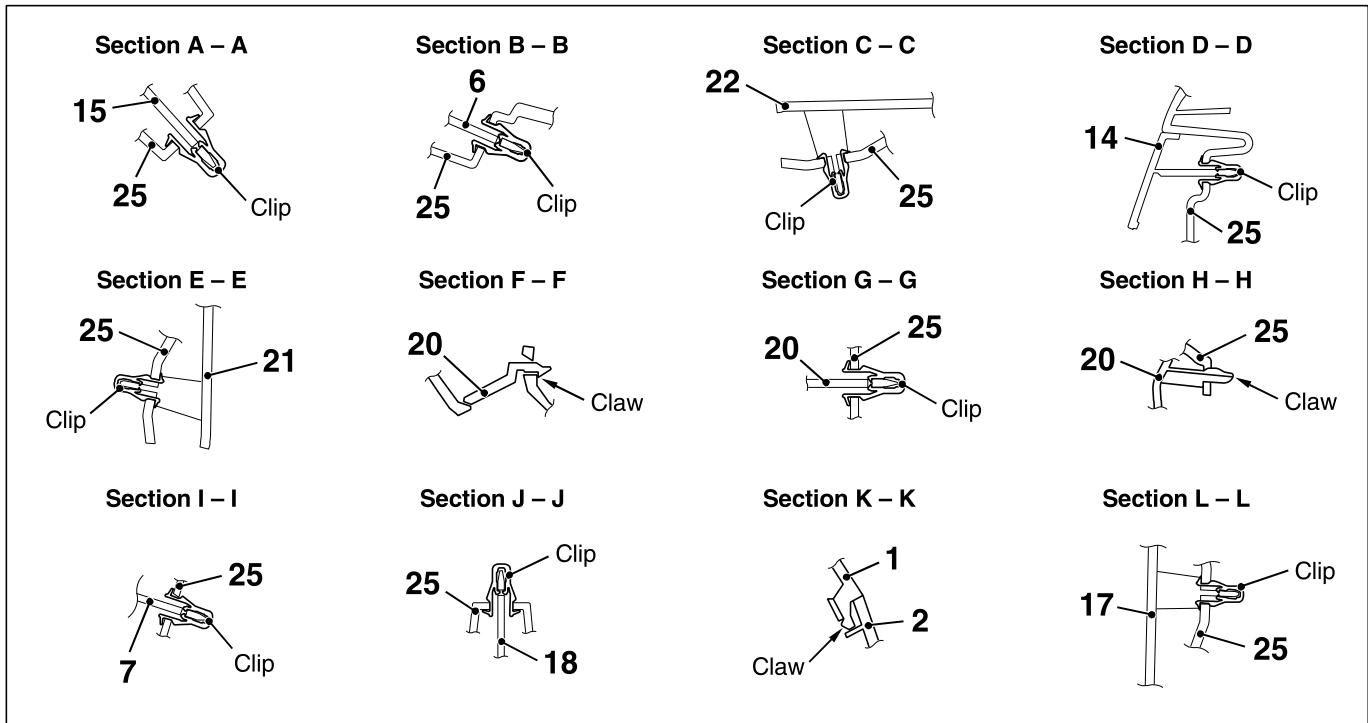


CLIP AND CLAW POSITIONS



NOTE

- (1) :Clip positions
- (2) :Claw positions



AC701257AC

NOTE: Each number in the illustration indicates a part number.